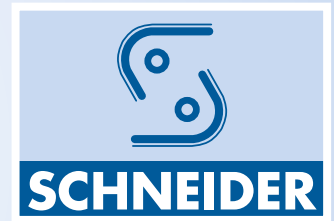
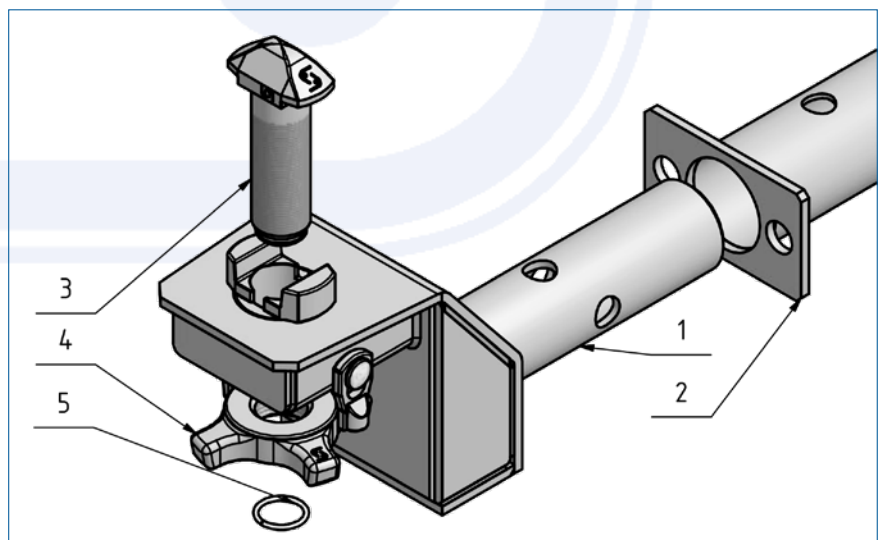
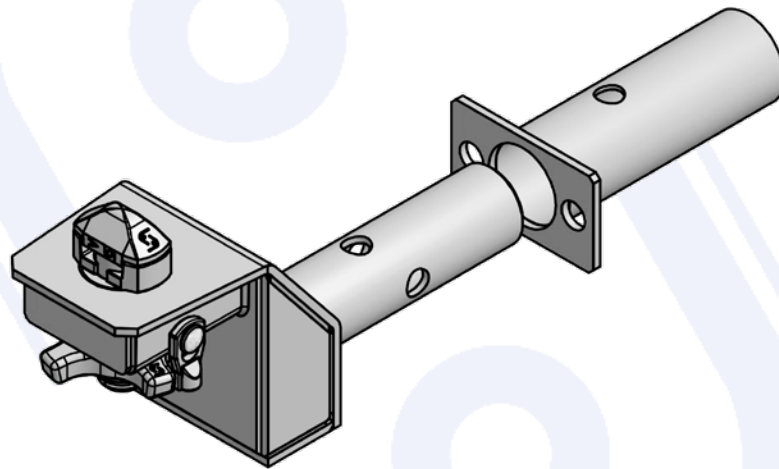
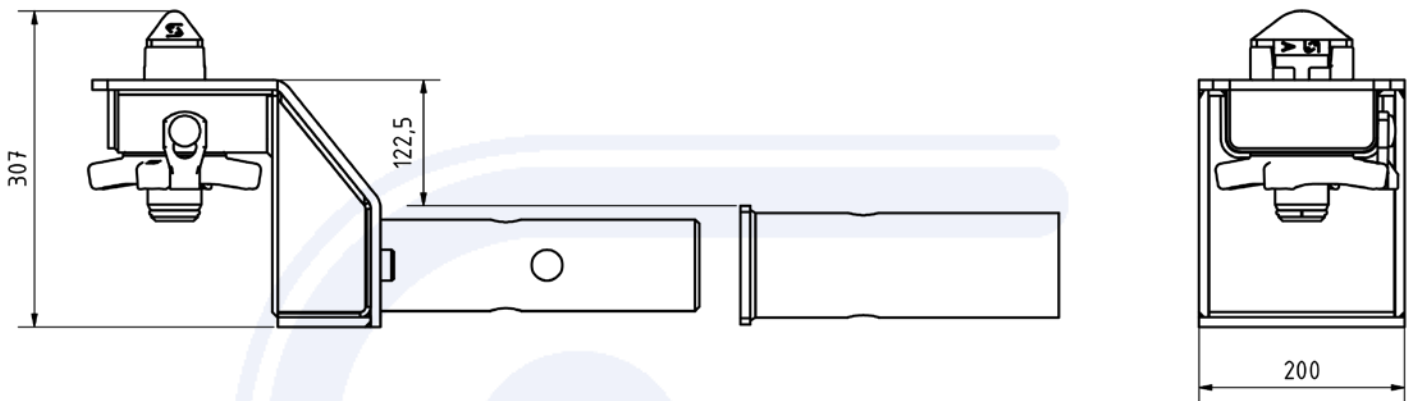


High adjustment rotatable



- > for transport of ISO-containers
- > 52 mm locking pin and ring acc. to norm
- > rotatable design, 120 mm short offset
- > inner parts are galvanized and not installed
- > weight 35 kg

Art.-No. 905.397.000



Pos.	Spare part	Art.-No.
1	High adjustm. rotatable	906.397.000
2	Guide tube	905.397.002
3	Locking pin	905.000.213
4	Locking nut	905.000.098
5	Security ring	905.000.187